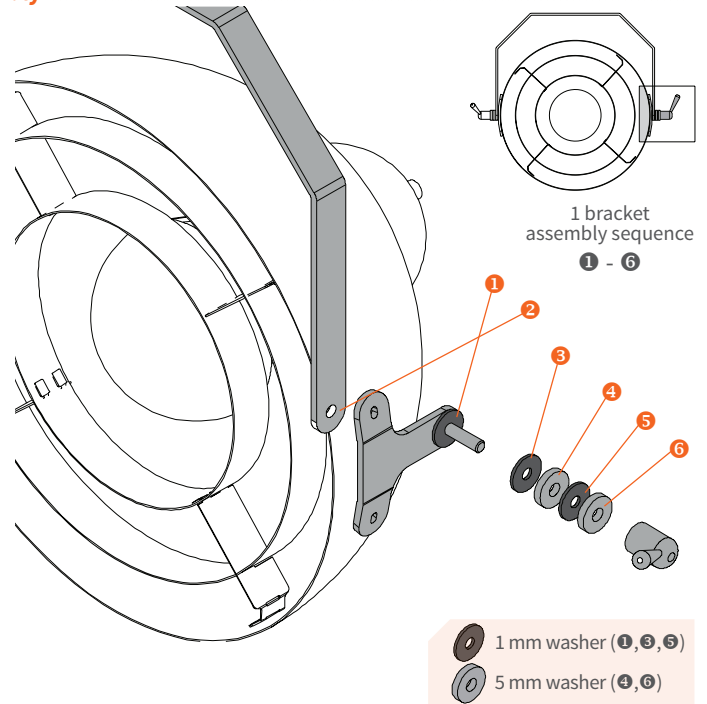
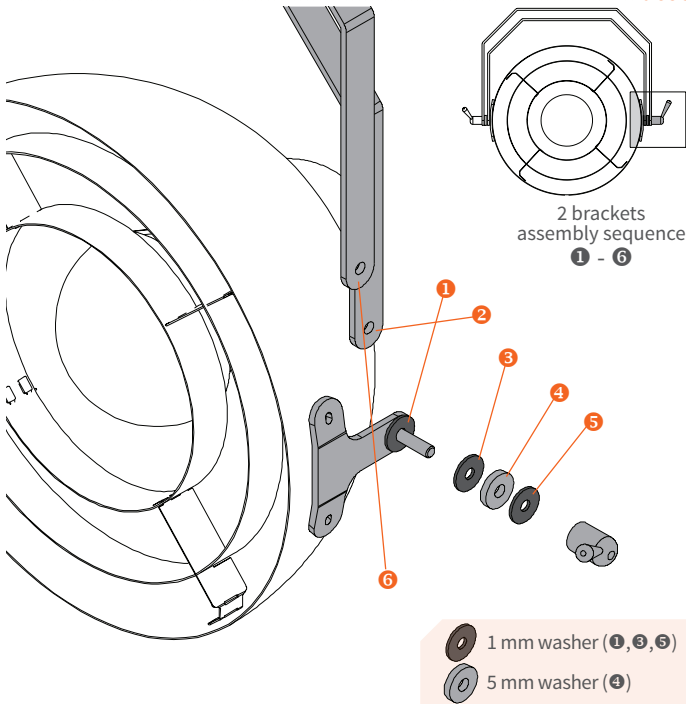


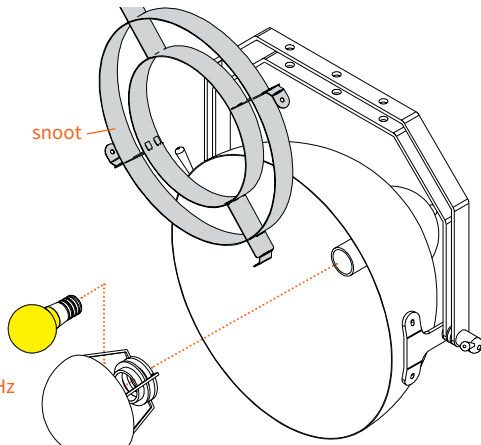
- Designed for indoor use only
- Electricity double insulated
- CE Labeled
- Do not disposed in the normal waste

assembly



lamp replacement

- step 1
remove snoot
- step 2
replace lamp
- step 3
replace snoot



Input Voltage: 230 ~ 50 Hz
Lamp: E27 60W max

maintenance

Please do not use aggressive cleaning agents such as solvents and/or corrosive substances. Clean the product with a cloth and a soft detergent. After cleaning the product, dry it with a soft cloth. Check the product for worn, tearing and/or lost items. By wear and/or missing of the proper components this product should be immediately taken out of service. Consult your supplier for advise.

Repair / maintenance is only permitted by a qualified person. In case of doubt, consult your supplier.